

POSTS AUTO CAD DRAWINGS

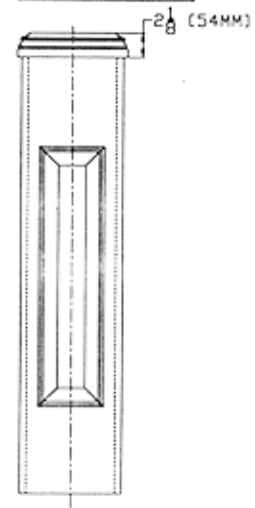
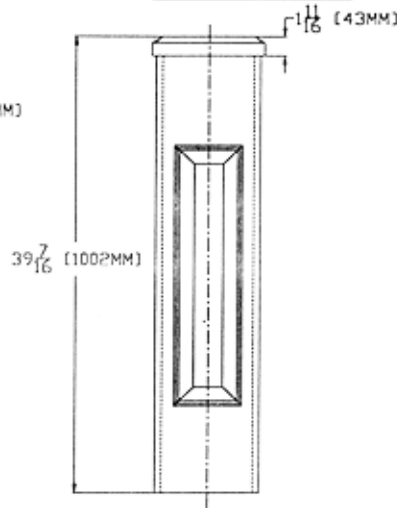
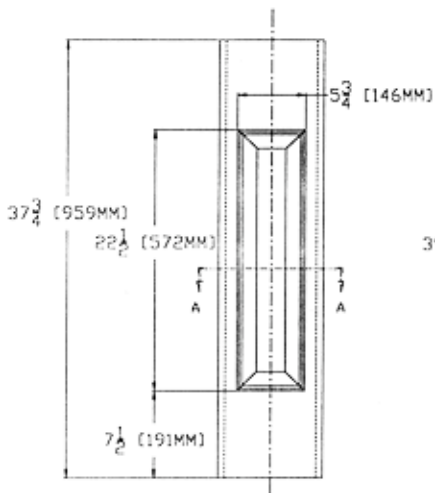
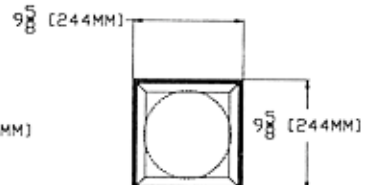
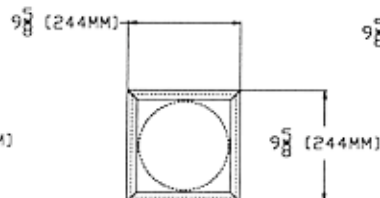
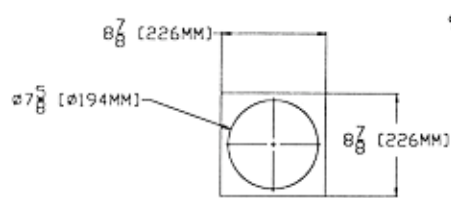
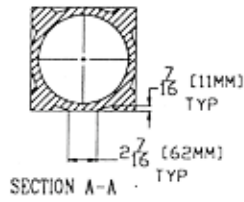
ROYAL CORINTHIAN

1-888-265-8661
603 Fenton Lane
West Chicago, IL 60185

Index

Cover.....	pg. 1
Index.....	pg. 2
NPP Style Posts.....	pg. 3-11
7-46.....	pg. 3
9-38.....	pg. 4
9-44.....	pg. 5
9-46.....	pg. 6
12-38.....	pg. 7
12-44.....	pg. 8
18-38.....	pg. 9
24-38.....	pg. 10
26-38.....	pg. 11
NP Style Posts.....	pg.12-13
5-38.....	pg. 12
7-40.....	pg. 13
NP 45 Style Posts.....	pg. 14-15
9-45.....	pg. 14
12-45.....	pg. 15

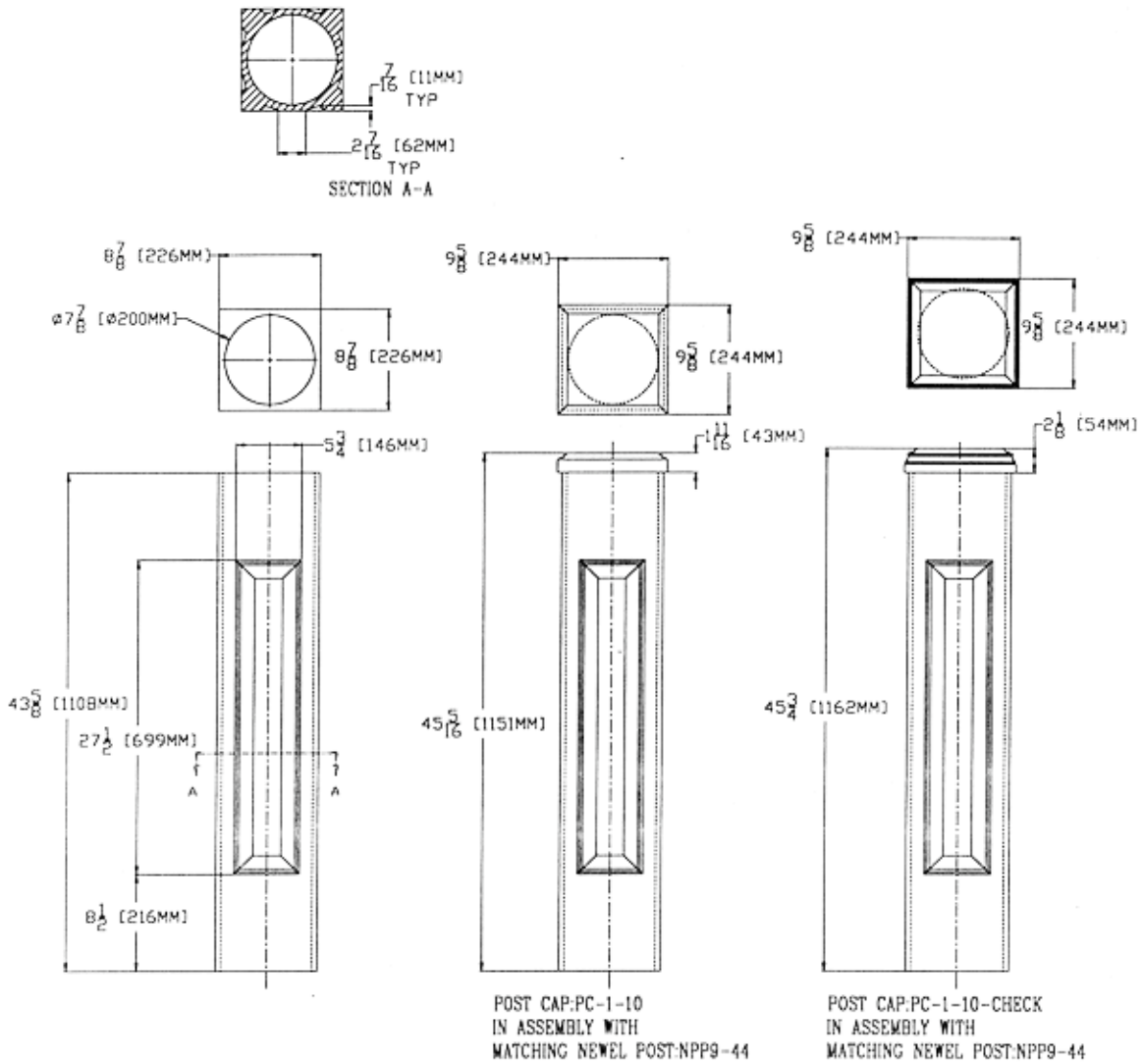
9-38



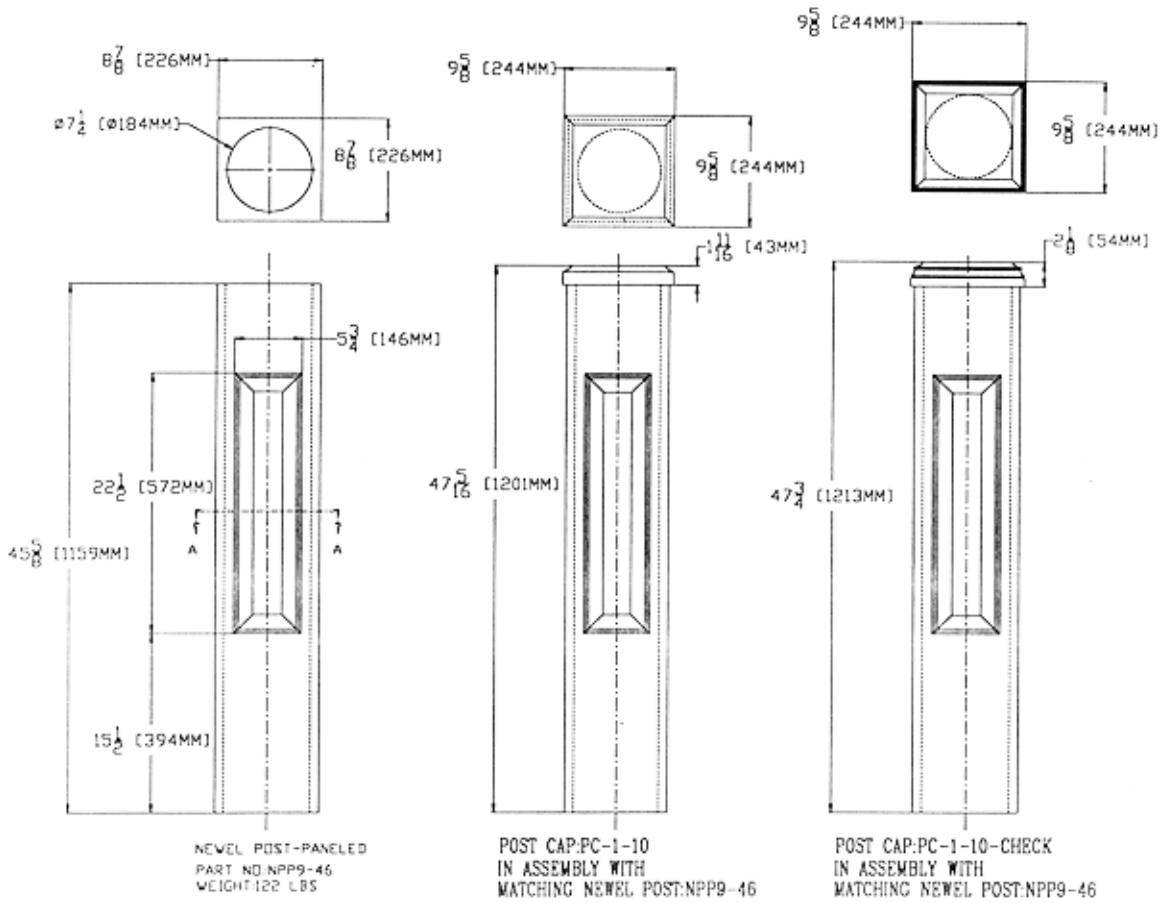
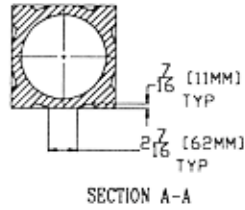
POST CAP:PC-1-10
IN ASSEMBLY WITH
MATCHING NEWEL POST:NPP9-36

POST CAP:PC-1-10-CHECK
IN ASSEMBLY WITH
MATCHING NEWEL POST:NPP9-36

9 - 44

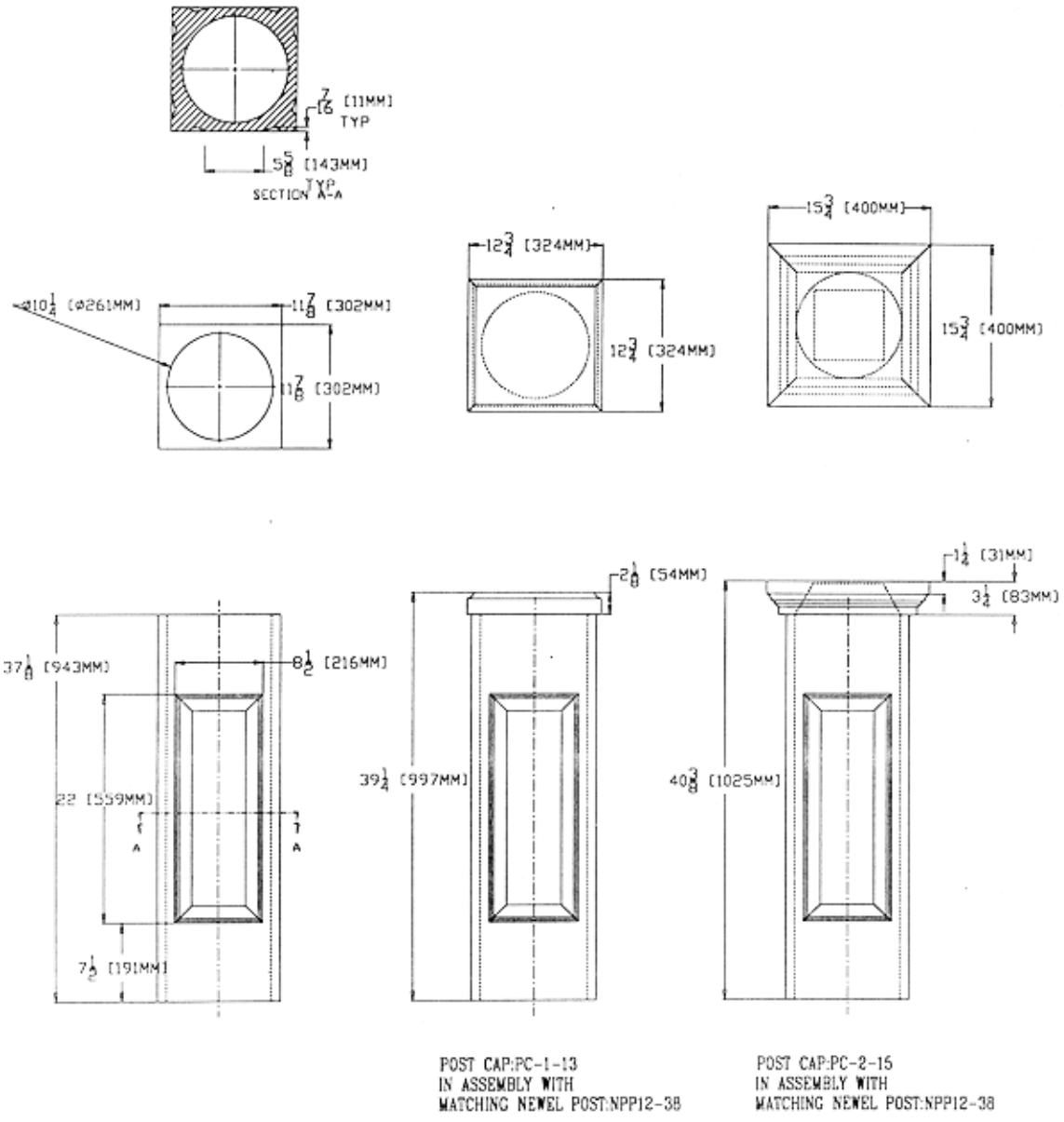


9-46

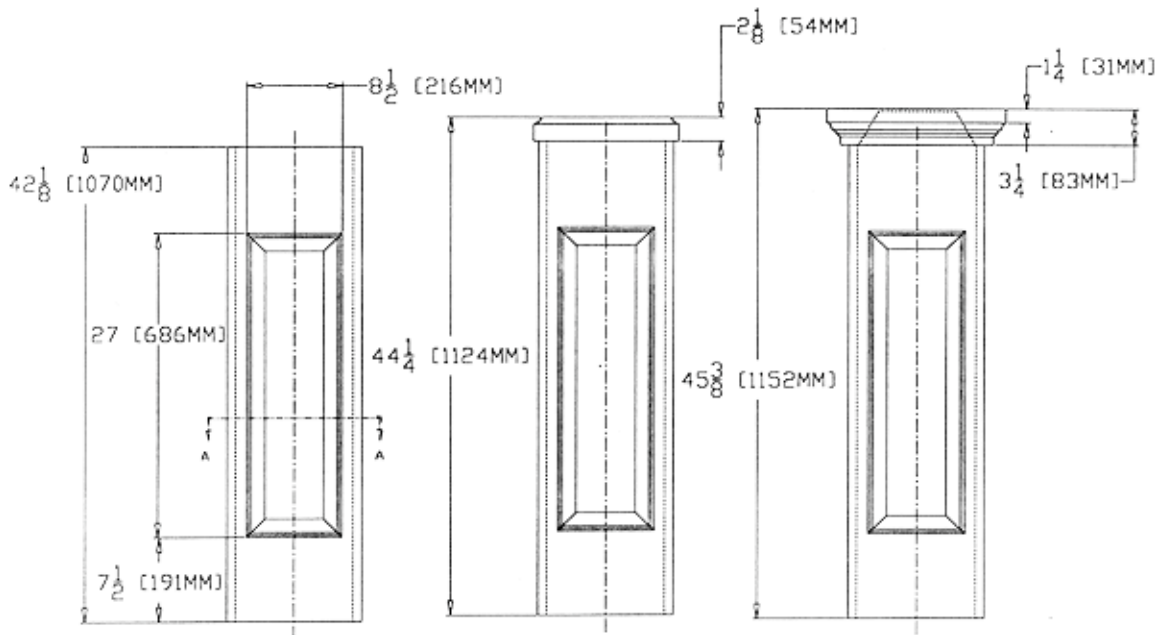
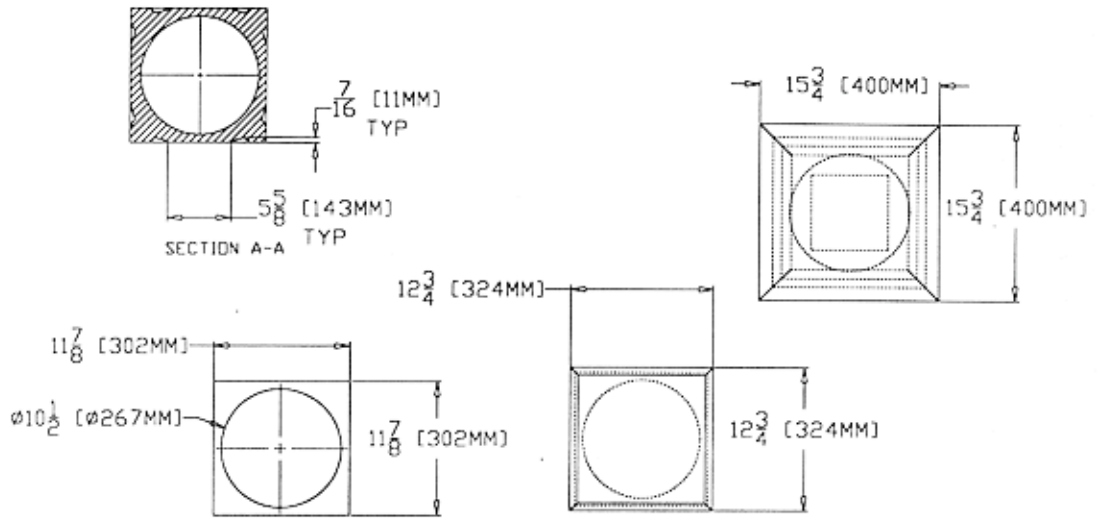


NOTE:
TO BE USED IN STAIRS
APPLICATION
COMES WITH -ONE,TWO OR
THREE OS FOR SIDED PANELS

12 - 38



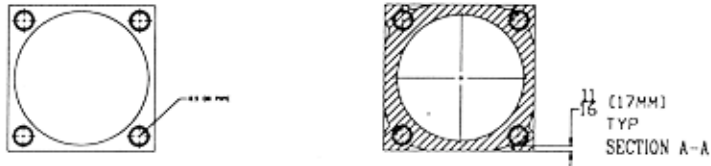
12 - 44



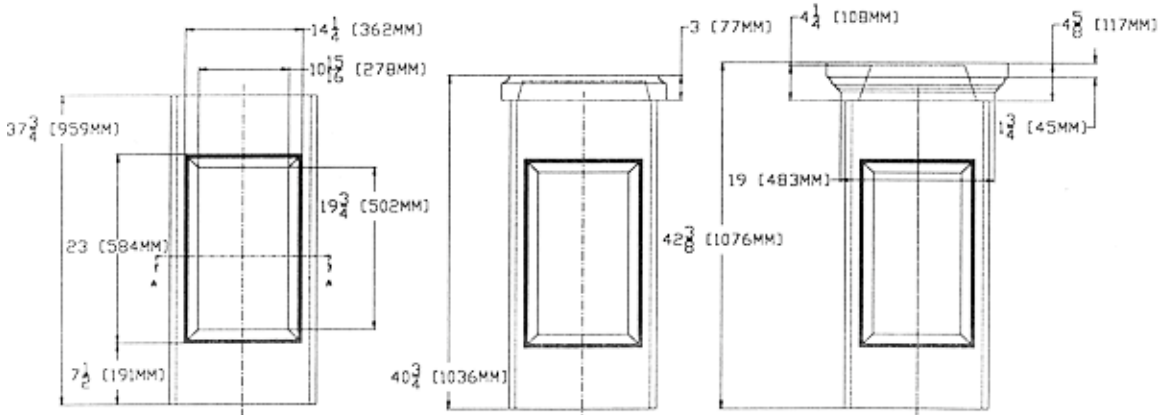
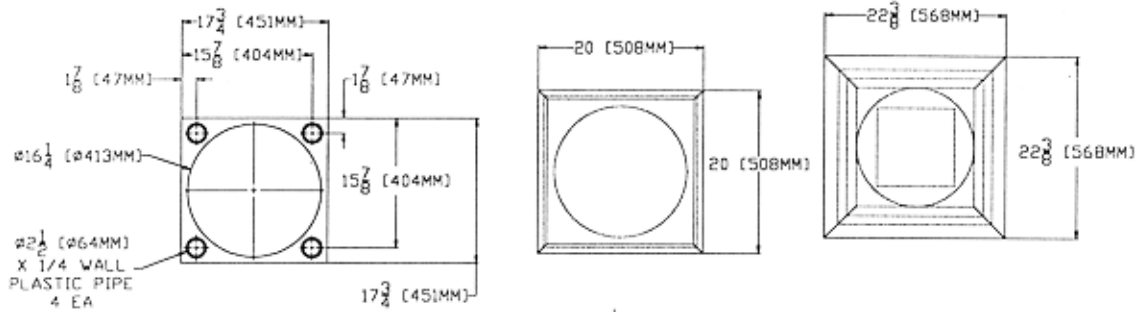
POST CAP:PC-1-13
IN ASSEMBLY WITH
MATCHING NEWEL POST:NPP12-44

POST CAP:PC-2-15
IN ASSEMBLY WITH
MATCHING NEWEL POST:NPP12-44

18 - 38



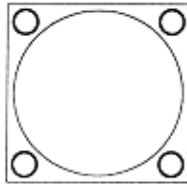
NOTE: FOR THIS POST THE AMOUNT OF MATERIAL REQUIRED=3344 CU IN.=14.5 GALLONS



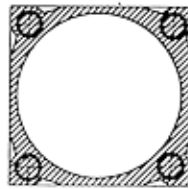
POST CAP: PC-1-20
IN ASSEMBLY WITH
MATCHING NEWEL POST: NPP18-38

POST CAP: PC-2-25
IN ASSEMBLY WITH
MATCHING NEWEL POST: NPP18-38

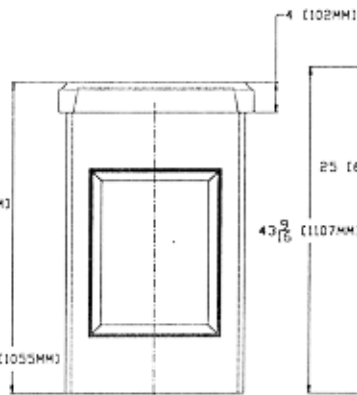
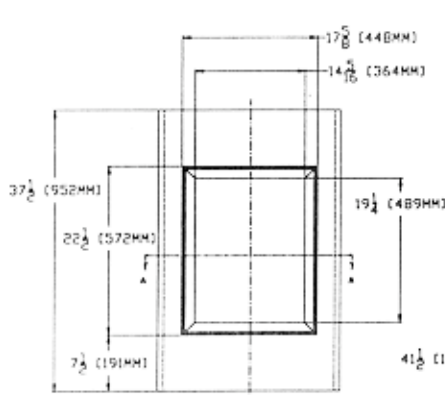
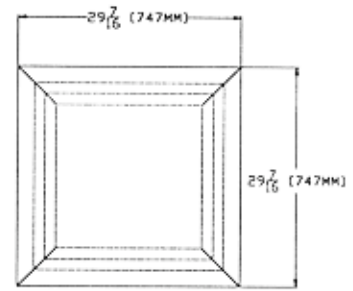
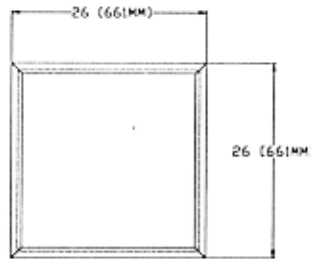
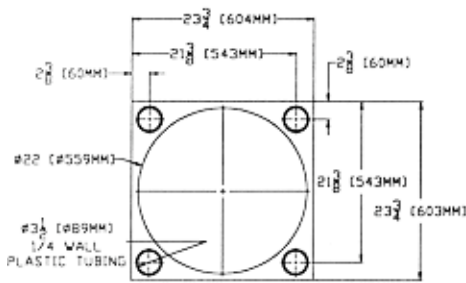
24 - 38



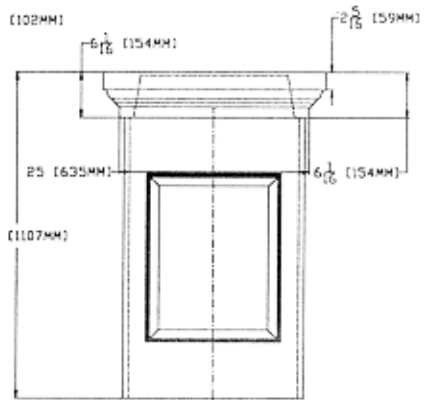
AMOUNT OF MATERIAL NEEDED:
5475 CU IN=23.7 GA



SECTION A-A

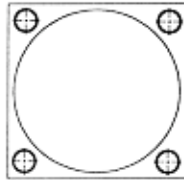


POST CAP:PC-1-26
IN ASSEMBLY WITH
MATCHING NEWEL POST:NPP24-3B

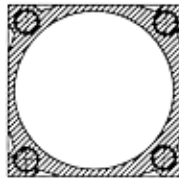


POST CAP:PC-2-30
IN ASSEMBLY WITH
MATCHING NEWEL POST:NPP24-3B

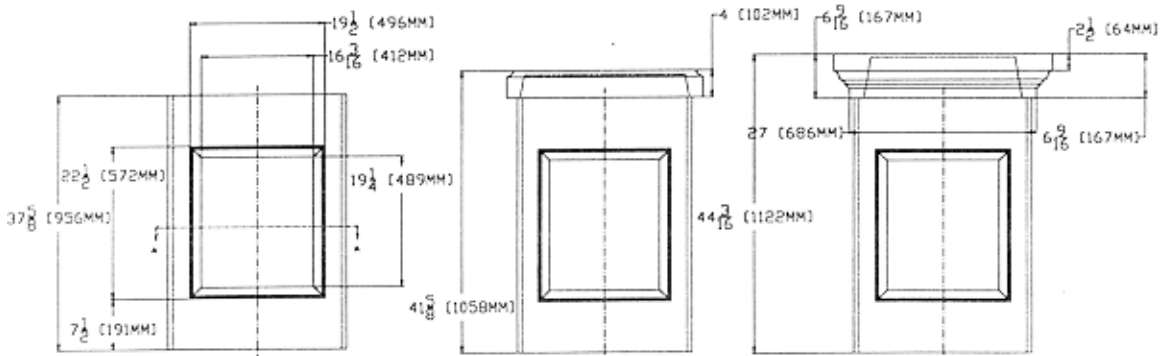
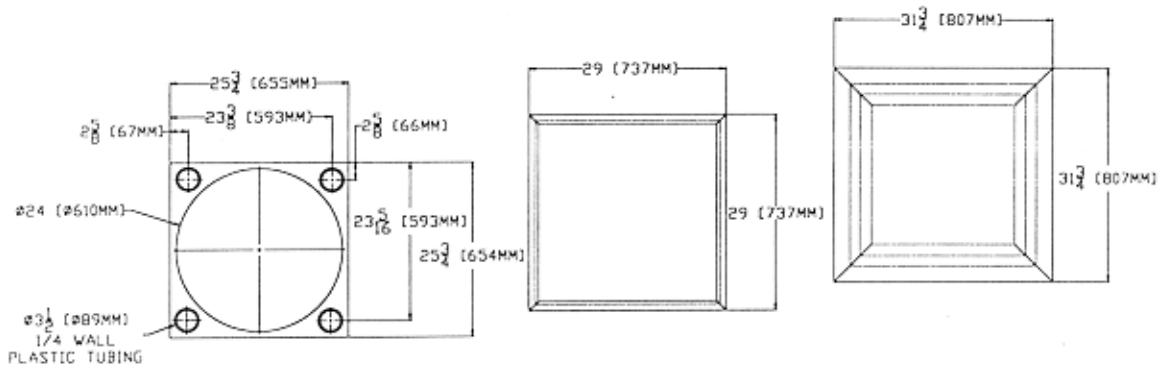
26 - 38



TOTAL VOLUME OF MATERIAL REQUIRED:
6600 CU IN=28.5 GA



SECTION A-A

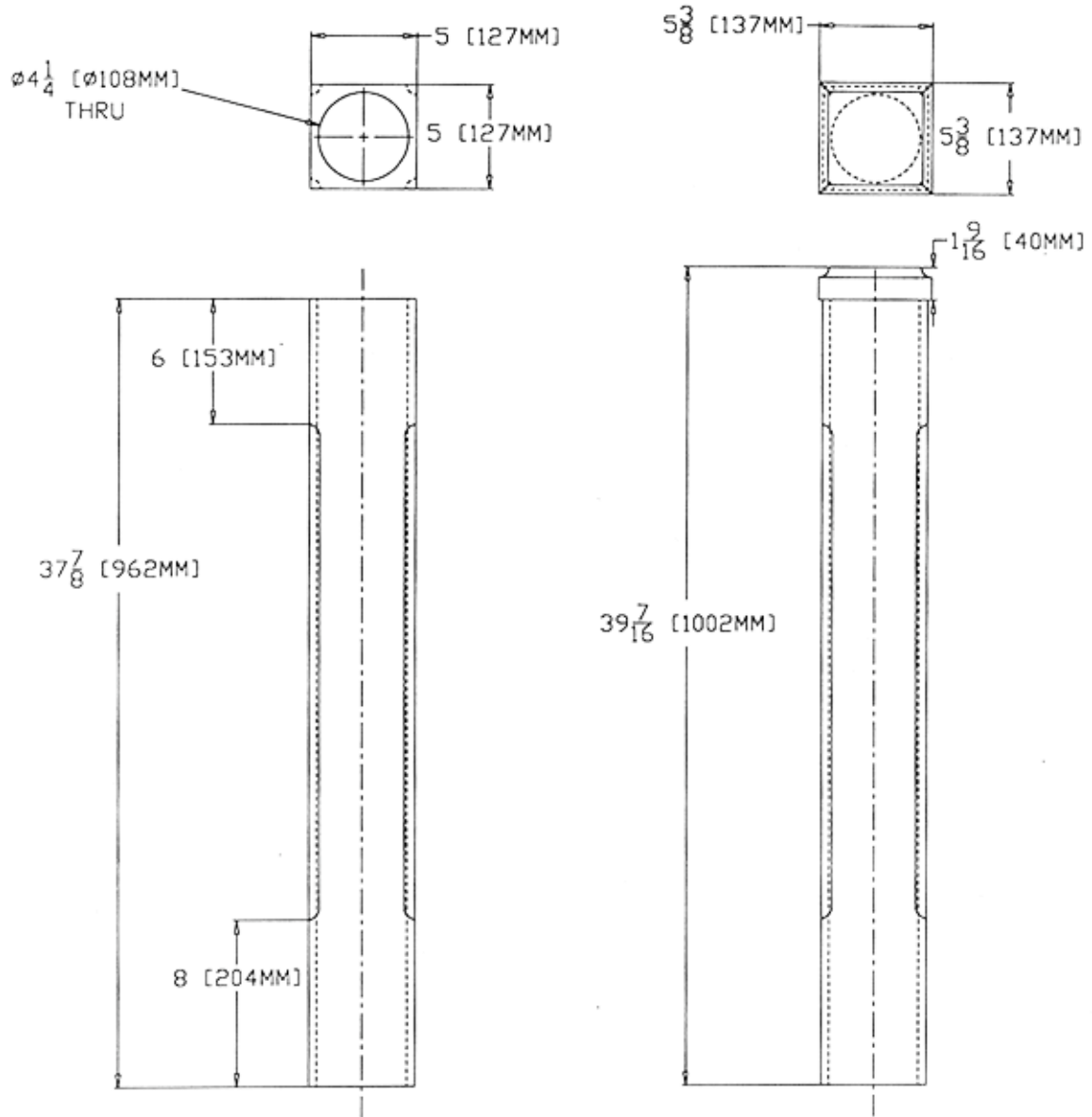


POST CAP-PC-1-29
IN ASSEMBLY WITH
MATCHING NEWEL POST-NPP26-38

POST CAP-PC-2-35
IN ASSEMBLY WITH
MATCHING NEWEL POST-NPP26-38

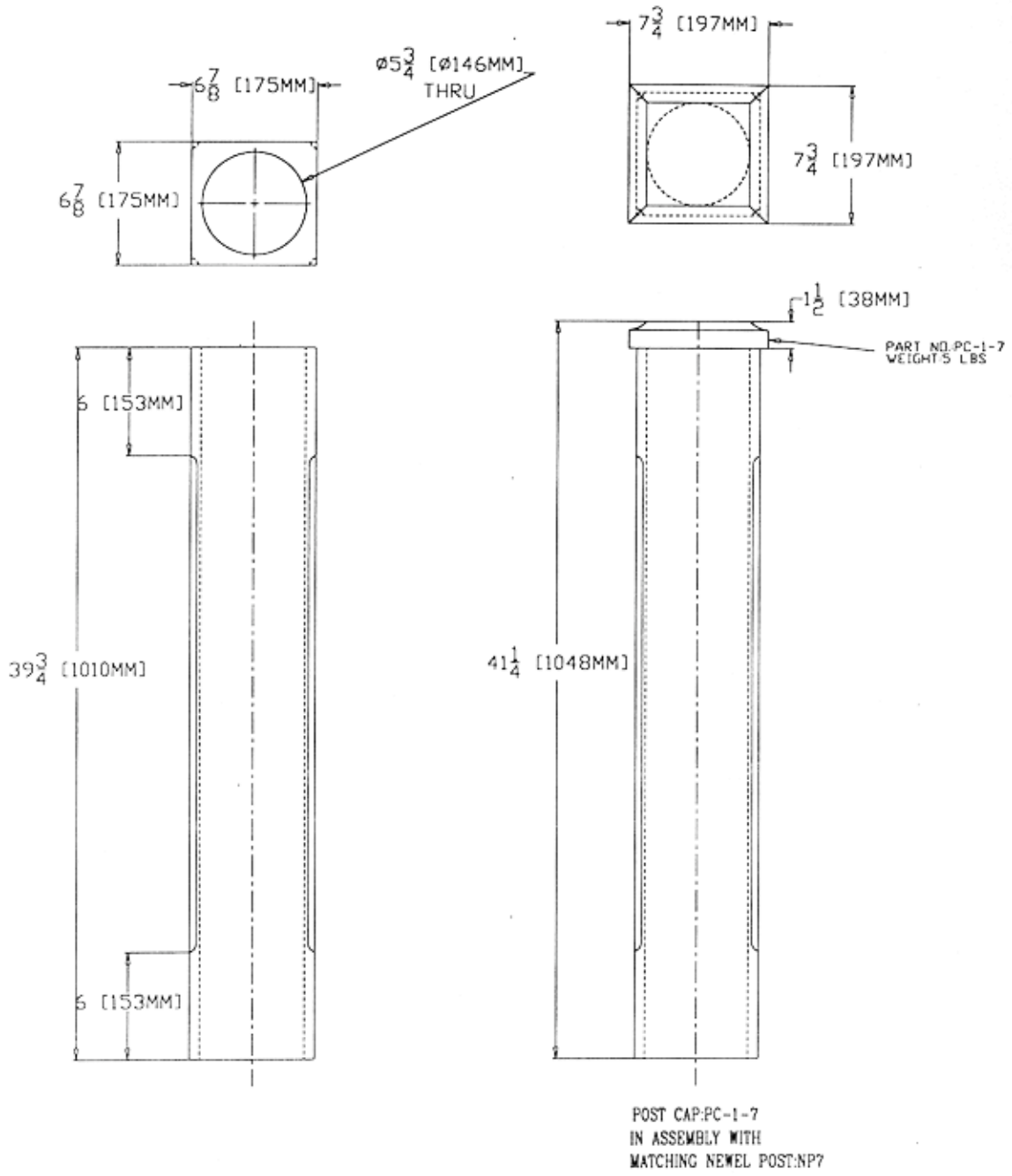
NP STYLE POSTS

5 - 38



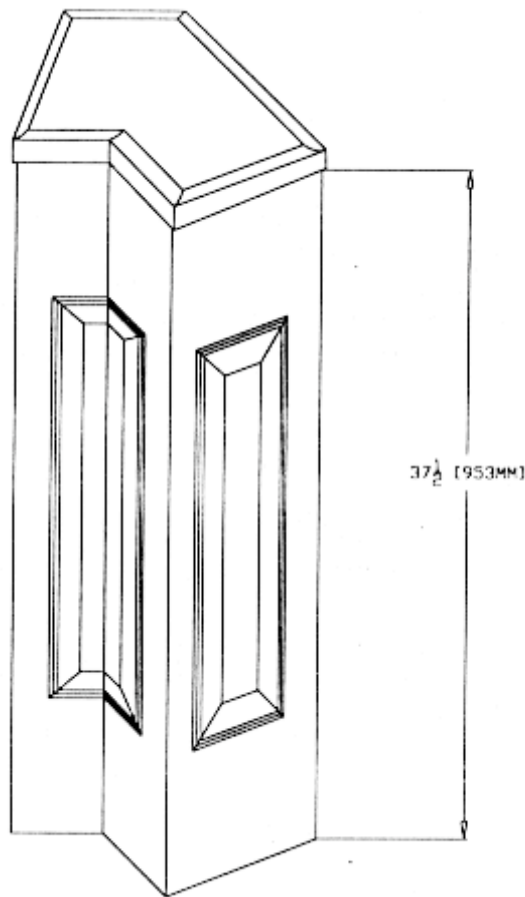
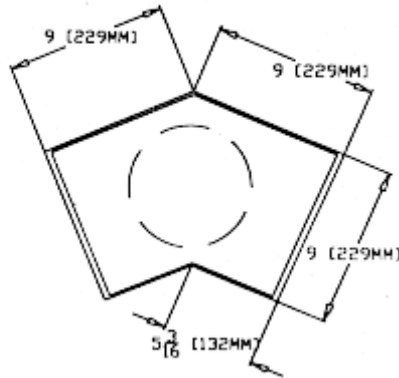
POST CAP.PC-1-5
IN ASSEMBLY WITH
MATCHING NEWEL POST.NP5

7-40



NP 45° STYLE POSTS

9 – 45



12 - 45

